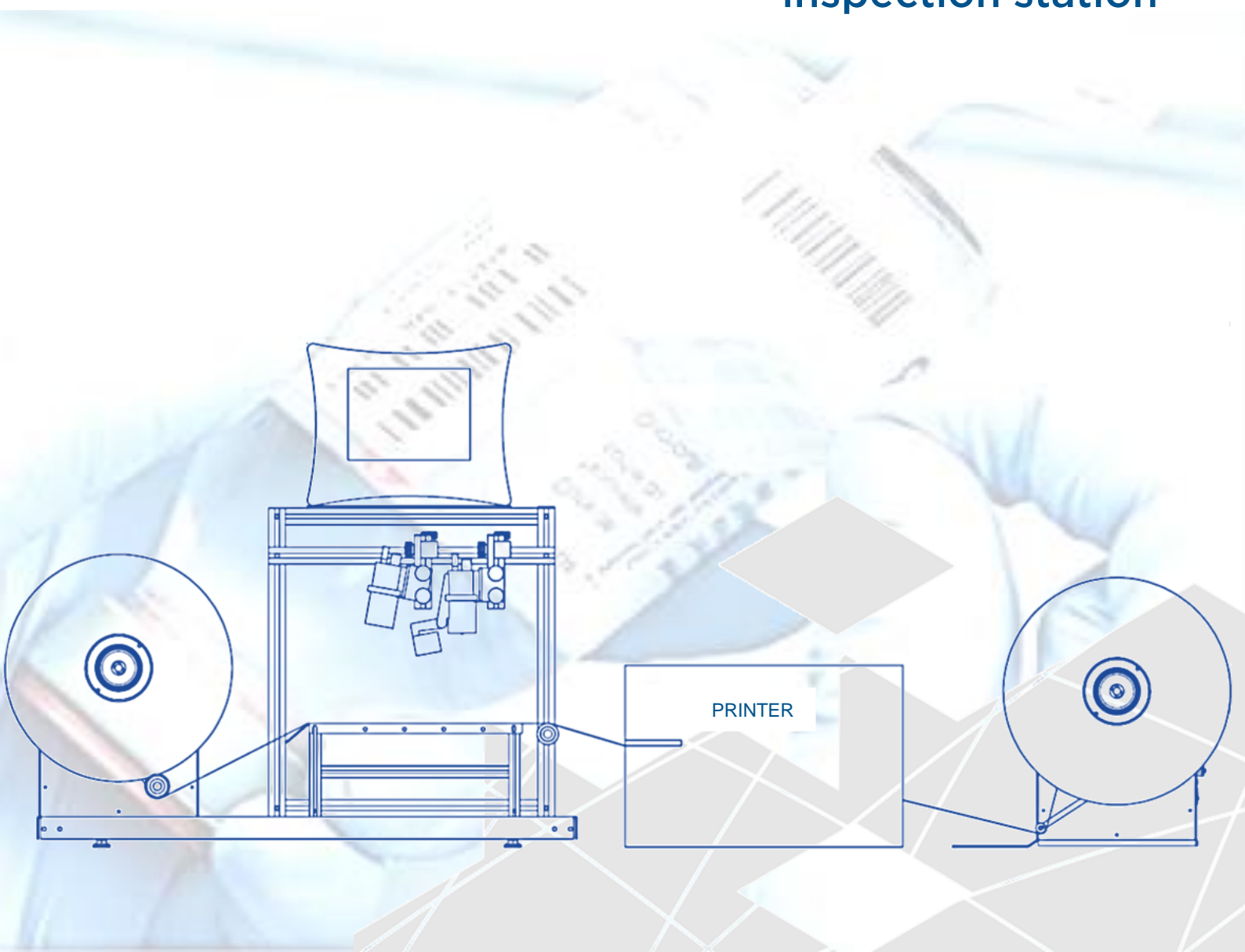




Roll to Roll

Label printing and inspection station

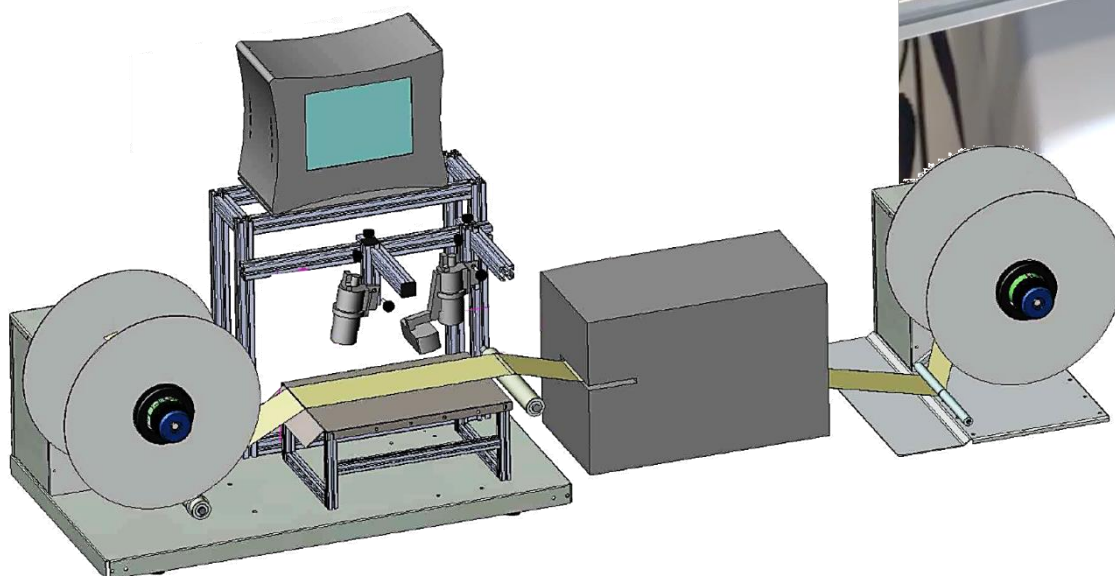


OFFLINE LABEL PRINTING AND INSPECTION

The compact table-top solution developed for offline label printing and inspection.

The offline Roll to Roll workstation is a unit designed to print and inspect serialized (or not serialized) bottles labels lots for multiple lines - to quickly meet compliance with the ever-fast approaching serialization regulations. The entire cycle including rejection (machine stops) is managed by SEA Vision integrated system.

This table-top, portable, easy to use workstation can be placed beside packaging lines in order to maximize the existing machines efficiency with no mechanical modification impact.



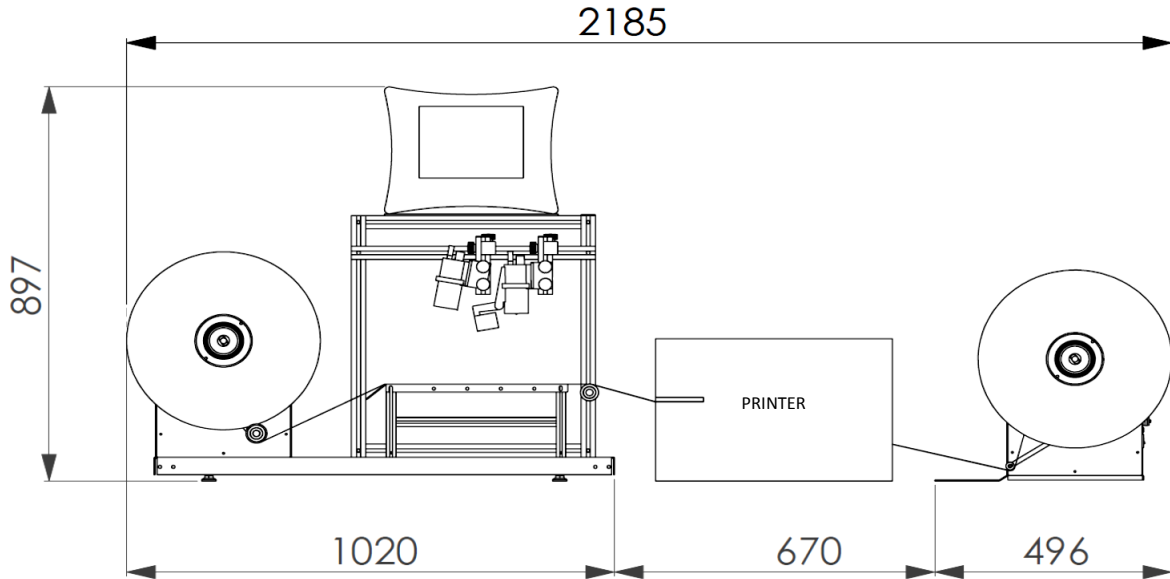
- ▶ **Print and inspect labels offline**
- ▶ **Serialized (and non serialized) capacity**
- ▶ **Multiple labels sizes supported**
- ▶ **Bad label rejection managed by the system (the machine stops and operator can remove bad labels manually)**
- ▶ **Easy to use interface, minimal training needed**
- ▶ **CFR 21 Part 11 compliant**





The optimal balance of safe

SERIALIZATION INSPECTION AND RAPID ROLL TO ROLL PROCESS



(Sizes expressed in millimetres)

- ▶ (Serialized/not serialized) codes and human readable data printing
- ▶ OCV/OCR control of variable data
- ▶ Reading and checking of the serialized/not serialized data
- ▶ The system allows to generate custom reports

